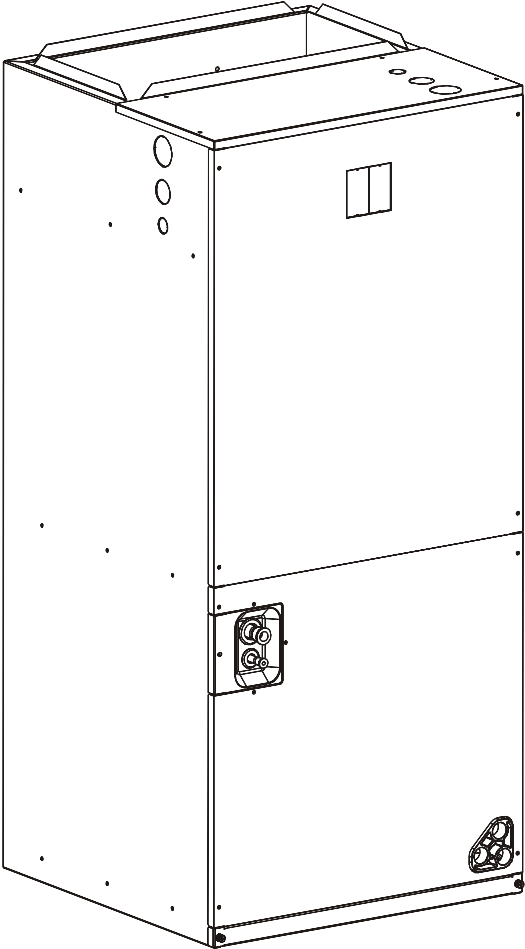


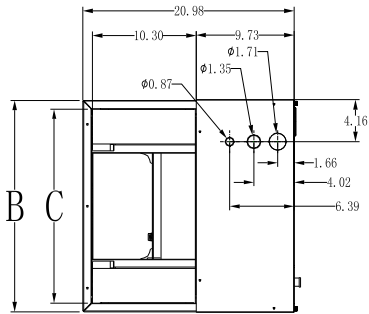
# Submittal

2 Ton Capacity  
Convertible Air Handler  
E4AH5E24A1J30A



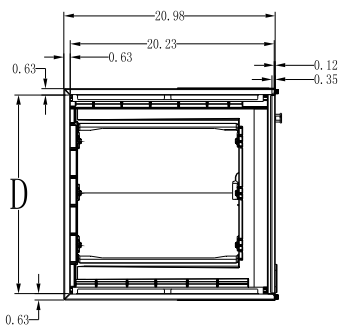
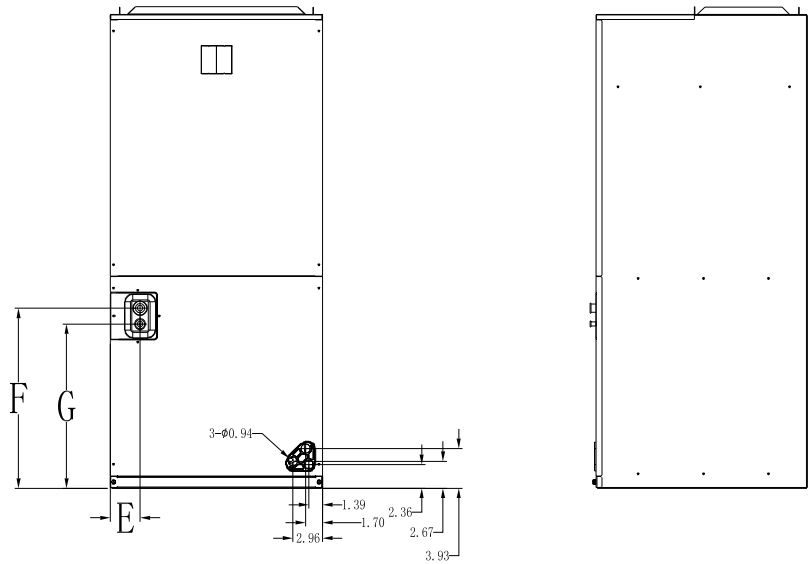
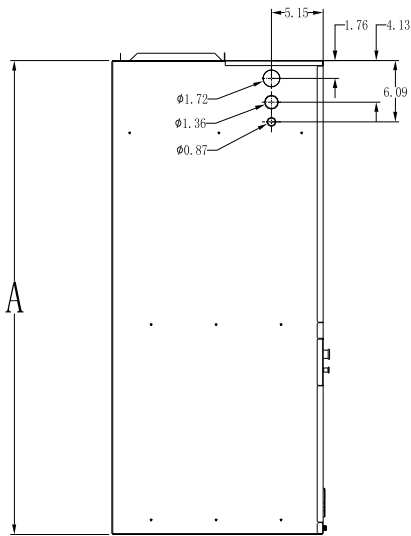
**E4AH5E24A1J-SUB-1A-EN**

# Outline Drawing



MINIMUM UNIT CLEARANCE TABLE	
	SERVICE CLEARANCE (RECOMMENDED)
SIDES	6"
FRONT	6"
BACK	6"
INLET DUCT	6"
OUTLET DUCT	118"

NOTE: THIS UNIT IS APPROVED FOR INSTALLATION CLEARANCES TO COMBUSTIBLE MATERIAL AS STATED ON THE UNIT RATING NAMEPLATE



PRODUCT DIMENSIONS									
Air Handler Model	A	B	C	D	E	F	G	Flow Control	Gas Line Braze
E4AH5E24A1J30A	47.01	20.98	19.25	19.72	2.98	17.87	16.30	TXV	3/4"
All dimensions are in inches									

**NOTE: ALL DIMENSIONS ARE REFERENCE DIMENSIONS**

# Product Specifications

<b>MODEL</b>	E4AH5E24A1J30A
<b>RATED VOLTS/PH/HZ</b>	208-230/1/60
<b>RATINGS(a)</b>	See O.D. Specifications
<b>INDOOR COIL — Type</b>	Plate Fin
Rows — F.P.I.	3-17
Face Area (sq. ft.)	3.70
Tube Size (in.)	1/4"
Refrigerant Control	TXV
Drain Conn. Size (in.)(b)	3/4" NPT
<b>DUCT CONNECTIONS</b>	<b>See Outline Drawing</b>
<b>INDOOR FAN — Type</b>	Centrifugal
Diameter-Width (In.)	12-1/4"-10-5/8"
No. Used	1
Drive - No. Speeds	Direct - 5
CFM vs. in. w.g.	See Fan Performance Table
No. Motors — H.P.	1 - 1/2
Motor Speed R.P.M.	1050
Volts/Ph/Hz	208-230/1/60
F.L. Amps	3.8
<b>FILTER</b>	
Filter Furnished? (c)	NO

<b>REFRIGERANT</b>	<b>R-410A</b>
Ref. Line Connections	Brazed
Coupling or Conn. Size — in. Gas	3/4"
Coupling or Conn. Size — in. Liq.	3/8"
<b>DIMENSIONS</b>	H x W x D
Crated (In.)	21"x46-1/2"x21"
Uncrated	23"x52"x24-1/2"
<b>WEIGHT</b>	
Shipping (Lbs.) / Net (Lbs.)	123/110

(a) These Air Handlers are A.H.R.I certified with various Split System Air Conditioners and Heat Pumps (AHRI STANDARD 210/240). Refer to the Split System Outdoor Unit Product Data Guides for performance data.

(b) 3/4" Male Plastic Pipe (Ref: ASTM 1785–76)

(c) Remote filter required.

# Minimum Airflow CFM

E4AH5E24A1J30A	
<b>Heater</b>	Minimum Heat Speed Tap
	With Heat Pump
BAYHTR1605BRKA BAYHTR1610BRKA	Tap 3

# Heater Pressure Drop Table

Airflow CFM	Number of Racks		Heater Racks	
	1	2	Heater Model	No. of Racks
	Air Pressure Drop — Inches W.G.			
1800	0.02	0.04	BAYHTR16 05BRKA	1
1700	0.02	0.04	BAYHTR16 10BRKA	2
1600	0.02	0.04		
1500	0.02	0.04		
1300	0.02	0.04		
1200	0.01	0.04		
1100	0.01	0.03		
1000	0.01	0.03		
900	0.01	0.03		
800	0.01	0.03		
700	0.01	0.02		
600	0.01	0.02		

# Performance and Electrical Data

See product data or air handler nameplate for approved combinations of air handlers and heaters.

**Table 1. Air Flow Performance**

E4AH5E24A1J30A					
EXTERNAL STATIC (in w.g)	AIRFLOW				
	Speed Taps: 208 – 230 VOLTS				
	Tap 1	Tap 2	Tap 3	Tap 4	Tap 5
0.1	569	642	735	810	968
0.2	528	614	729	804	948
0.3	475	590	680	790	948
0.4	428	510	630	746	936
0.5	373	471	576	702	899
0.6	325	418	535	655	857
0.7	277	380	490	607	808
0.8	260	334	454	562	755

1. Values are with dry coil, no filter, and no heaters  
 2. CFM Correction for dry coil = Reduce 3%

**Table 2. Electrical Data**

E4AH5E24A1J30A											
Heater Model No.	No. of Circuits / Phases	230 Volt					208 Volt				
		Capacity		Heater Amps per Circuit	Minimum Circuit Ampacity	Maximum Overload Protection	Capacity		Heater Amps per Circuit	Minimum Circuit Ampacity	Maximum Overload Protection
		KW	BTUH				KW	BTUH			
No Heater				3.8*	5	15			3.8*	5	15
BAYHTR 1605BRKA	1/1	5	17000	20	25	30	3.75	12800	18	23	25
BAYHTR 1610BRKA	1/1	10	34000	40	50	60	7.5	25500	36	45	50

\* = Motor Amps

# Features and Benefits

- Galvanized metal cabinet with captured foil face insulation
- 2% or less air leakage
- R-4.2 Insulating Value
- Multi-Position UP, Horizontal Left /Right
- Copper-Aluminum Coils
- Electric Heaters with polarized plug connections (sold as accessory)
- R-410A Thermal Expansion Valve
- ECM Motor ( **2.0 – 5 Ton Models** )
- Low Voltage Pigtail Connections
- Draw Through Design
- Vertical and Horizontal Drain pan
- Single Color
- Fused 24V Power
- **5 year warranty**
- **Optional extended warranty available**

## About Trane and American Standard Heating and Air Conditioning

Trane and American Standard create comfortable, energy efficient indoor environments for residential applications. For more information, please visit [www.trane.com](http://www.trane.com) or [www.americanstandardair.com](http://www.americanstandardair.com).

---



The manufacturer has a policy of continuous data improvement and it reserves the right to change design and specifications without notice. We are committed to using environmentally conscious print practices.